

# EDGE LITE

## DB SERIES

AMPLIFIER MANUAL

Автомобильные усилители

---

EDB80.2LITE-EO  
EDB80.4LITE-EO

---

## Owners Manual

Congratulations on purchasing your EDGE amplifier. Please read this manual in order to fully understand how to get the best results from this product and ensure that all advice on how to look after the product is followed.

Thank you for buying EDGE, we hope you enjoy listening to your product as much as we enjoyed creating it.

### Attention



An aftermarket audio amplifier will place an additional load on the vehicles charging system.

Most modern vehicles have sufficient capacity in the charging system as not all the electrical components of the vehicle will be switched on at once.

Check the fuse rating of the amplifier and use this as the peak current requirement.

Generally the continuous current draw will be a third of the peak current.

### Warning

During the normal use of this amplifier the heatsink may become very hot.

Please do not touch during or immediately after use.

Please ensure that when installing this product the heatsink will not come into contact with any materials that may be damaged by heat such as upholstery or plastics.

## Limited Warranty

All EDGE products carry a full 12 month warranty, valid from the date of the original receipt and proof of purchase. The online warranty card should be completed within seven days of the original purchase date. The original receipt and packaging should be retained for this twelve month period. If the product develops a problem any stage during the warranty period, it should be returned to the point of purchase in it's original packaging, and complete with no items missing. If the store is unable to repair the product it may have to be returned to EDGE.

A full description of EDGE warranty information can be found on our website:

**[www.edgecaraudio.co.uk](http://www.edgecaraudio.co.uk)**

### What Is Not Covered

- Damage to product due to improper installation.
- Subsequent damage to other components.
- Damage caused by exposure to moisture, excessive heat, chemical cleaners and / or UV radiation.
- Damage through negligence, misuse, accident or abuse. Repeated returns for the same fault may be considered abuse.
- Any cost or expense related to the removal and / or re-installation of the product.
- Damage caused by amplifier clipping or distortion.
- Items repaired or modified by any unauthorised repair facility.
- Return shipping on non defective items.
- Products returned without a returns authorisation number.
- Damage to product due to use of sealant.

### International Warranty

Contact your international EDGE dealer or distributor concerning specific procedure for your country's warranty policies. [www.edgecaraudio.co.uk](http://www.edgecaraudio.co.uk)

### Warning

EDGE equipment is capable of sound pressure levels that can cause permanent damage to your hearing and those around you. Please use common sense when listening to your audio system and practice safe sound.

### Copyright

All content included in this manual such as text, graphics, logos, icons, images and data, are the property of Midbass Distribution Limited t/a EDGE audio international copyright laws. All rights reserved. EDGE and all stylised representations of product names, or the abbreviations of product names, as logos are all trademarks of EDGE. Graphics and logos are trademarks or trade dress of EDGE audio or its subsidiaries. EDGE's trademarks and trade dress may not be used in connection with any product or service that is not EDGE's, in any manner that is likely to cause confusion among customers or in any manner that disparages or discredits EDGE. All other trademarks not owned by EDGE or its subsidiaries that appear in this manual are the property of their respective to the FULLEST EXTENT PERMITTED AT LAW, EDGE IS PROVIDING THIS MANUAL AND ITS CONTENT ON AN "AS IS" BASIS AND MAKES NO (AND EXPRESSLY DISCLAIMS ALL) REPRESENTATIONS OR WARRANTIES OF ANY KIND, EXPRESS OR IMPLIED, WITH RESPECT TO THIS MANUAL, OR THE INFORMATION, CONTENT, MATERIALS OR PRODUCTS INCLUDED IN THIS MANUAL INCLUDING, WITHOUT LIMITATION, WARRANTIES OF MERCHANTABILITY AND FITNESS FOR A PARTICULAR PURPOSE. IN ADDITION, EDGE DOES NOT REPRESENT OR WARRANT THAT THE INFORMATION CONTAINED IN THIS MANUAL IS COMPLETE OR CURRENT, AND THAT ALL SPECIFICATIONS AND INFORMATION CONTAINED WITHIN THIS MANUAL ARE SUBJECT TO CHANGE WITHOUT NOTICE. EDGE RECOMMEND CAUTION WHEN LISTENING TO MUSIC REPRODUCED THROUGH EDGE EQUIPMENT. EDGE EQUIPMENT IS CAPABLE OF PRODUCING SOUND AND SOUND PRESSURE LEVELS THAT CAN PERMANENTLY DAMAGE HEARING OF YOU AND THAT OF OTHERS. FOR SAFE AND ENJOYABLE LISTENING, THE SOUND SHOULD BE CLEAR WITHOUT DISTORTION AT A COMFORTABLE VOLUME. BY USING ANY EDGE EQUIPMENT, YOU AGREE TO TAKE FULL RESPONSIBILITY FOR YOUR OWN SAFETY AND THE SAFETY OF OTHERS WHEN LISTENING TO MUSIC AT HIGH VOLUMES THROUGH EQUIPMENT YOU HAVE PURCHASED. USE OF ANY EDGE EQUIPMENT CONSTITUTES AGREEMENT TO THIS DISCLAIMER.

representatives will be liable for damages arising out of or in connection with the use of this manual or the information, content, materials or products included.

This is a comprehensive limitation of liability that applies to all damages of any kind, including (without limitation) compensatory, direct, indirect or representatives.

## Mounting Guidelines

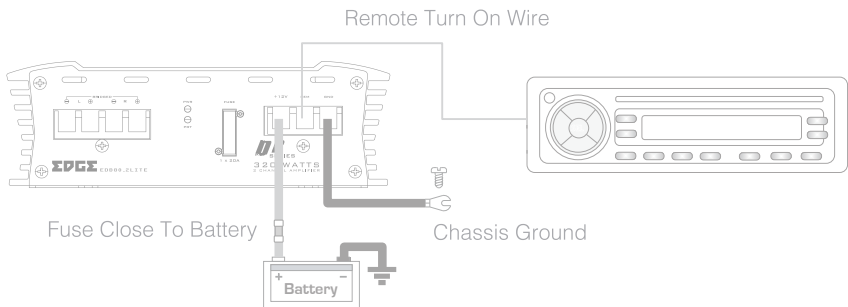
Your EDGE amplifier is designed with a swift installation routine in mind.

Please mount the amplifier in a dry location on a solid surface.

NEVER mount the amplifier upside down as this will cause the amplifier to over heat and will eventually damage the amplifier.

Before fixing the amplifier in place please ensure that there is sufficient air flow around the exterior of the casing, at least two inches is sufficient to allow effective cooling.

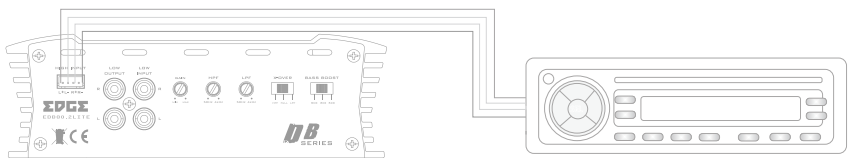
## Power Connections



## Low Level Input



## High Level Input



**NOTE :** When using high level input it is not necessary to connect the remote turn on wire. Do not connect both high level and low level input at the same time.



---

## Power Cable

- At least 8 gauge cable should be used for the power connection to the amplifier.
- The power cable should be taken directly from the battery. Rubber grommets should be used when passing through any bulkheads to prevent the cable from becoming chaffed or cut.
- It is vital that a fuse / circuit breaker (of at least equal value to the one fitted in the amplifier) is placed inline with the power cable and is no further than 18 inches away from the battery.
- Please ensure that the fuse is not fitted until the entire installation procedure is complete.

## Ground Cable

- At least 8 gauge cable should be used for the ground connection to the amplifier.
- The amplifier ground should be connected directly to the chassis of the vehicle, to bare metal.
- The cable length should be kept to an absolute minimum.
- It is not recommended that you connect the ground cable to the vehicles seatbelts anchor point.

## Auto Turn On (High level Input Only)

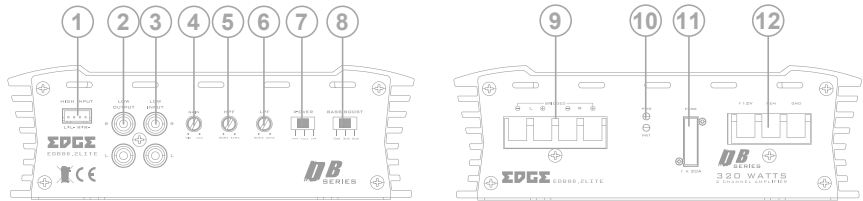
- The amplifiers feature an auto turn on circuit called Autosense.
- This circuit allows the amplifier to switch on and off without a remote turn on wire when using high level input. For low level input (RCA) it will still be necessary to connect the remote turn on wire from the headunit.
- When the connected source (headunit) is turned on the amplifier will turn on automatically, after the connected source (headunit) is turned off the amplifier will shut down.

## RCA Cables

- Depending on the model number of your amplifier and the number of speakers you wish to power you will have to run either one or two or RCA cables from the source to the amplifier.
- Please take extra care when running these cables from the source to the amplifier. Ensure that they are placed away from all items that can generate any interference, wiring harnesses etc.
- It is recommended that the RCA cables should be run on opposite sides of the car to the previously installed power cables if possible, to avoid the cable picking up interference.

EDB80.2LITE-E0

## Terminals And Connections



### 1. High level input

For connection to the speaker output of your source (head unit). This is to be used if the source (headunit) does not have a low level output.

### 2. Low level output

RCA output used to connect an additional amplifier or audio device.

### 3. Low level input

For connection to any source (head unit) with a low level output. This is your RCA output from the source (headunit)

### 4. Gain control

This control is used to match the input signal of the source to the amplifier. See the setup section for more details.

### 5. High Pass Filter (HPF)

This control is used to set the crossover frequency for the amplifier when HPF is selected. The frequency is adjustable between 50Hz and 4kHz.

### 6. Low Pass Filter (LPF)

This control is used to set the crossover frequency for the amplifier when LPF is selected. The frequency is adjustable between 50Hz and 4kHz.

### 7. Crossover mode select switch

This control is used to select the crossover mode of the amplifier. FLAT is for full range output, HPF is used to limit the amount of low frequency information passed to the speakers and LPF is used to limit the amount of high frequency information passed to the speakers.

### 8. Bass boost select switch

This control is used to add bass boost to the amplifier centred at 45Hz. 0dB, +3dB, +6dB settings are selectable.

### 9. Speaker terminals

Used to connect speaker cables to the amplifier. See the wiring configuration section for more details

### 10. Power / protect LED

If the amplifier is operating normally, the GREEN LED will illuminate.

If the amplifier is in protection mode the RED LED will illuminate.

### 11. Fuse

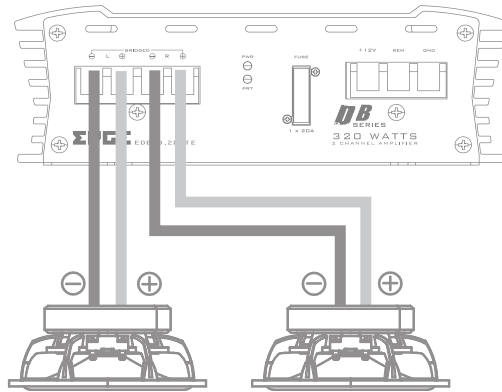
Replace with only the same value ATC fuse : 1 x 20A

### 12. Power terminals

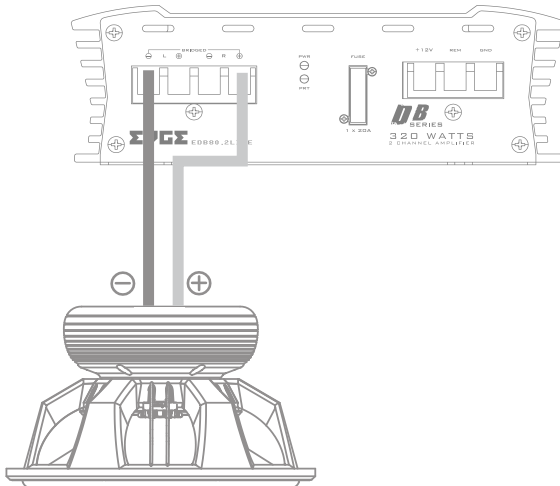
Used to connect DC power to the amplifier. See the power connections section for more details

EDB80.2LITE-E0

## 2 Channel Wiring Configuration

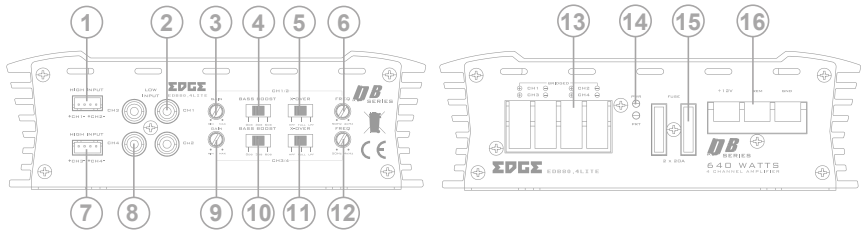


## Bridged Wiring Configuration



EDB80.4LITE-E0

## Terminals And Connections



### 1. CH1 / 2 High level input

For connection to the speaker output of your source (head unit). This is to be used if the source (headunit) does not have a low level output.

### 2. CH1 / 2 Low level input / output

For connection to any source (head unit) with a low level output. This is your RCA output from the source (headunit).

Note : When using high level input this becomes an RCA output which can be used to connect an additional amplifier or audio device.

### 3. CH1 / 2 Gain control

This control is used to match the input signal of the source to the amplifier. See the setup section for more details.

### 4. CH1 / 2 Bass boost control

This control is used to add bass boost at 45Hz which is adjustable between 0dB, +3dB and +6dB.

### 5. CH1 / 2 Crossover mode select switch

This switch is used to select the crossover mode of the amplifier. FLAT is for full range output, HPF is used to limit the amount of low frequency information passed to the speakers and LPF is used to limit the amount of high frequency information passed to the speakers.

### 6. CH1 / 2 Crossover frequency control

This control sets the HPF or LPF frequency for the amplifier. HPF is adjustable between 50Hz and 4kHz, LPF is adjustable between 50Hz and 4kHz.

### 7. CH3 / 4 High level input

For connection to the speaker output of your source (head unit). This is to be used if the source (headunit) does not have a low level output.

### 8. CH3 / 4 Low level input / output

For connection to any source (head unit) with a low level output. This is your RCA output from the source (headunit).

Note : When using high level input this becomes an RCA output which can be used to connect an additional amplifier or audio device.

### 9. CH3 / 4 Gain control

This control is used to match the input signal of the source to the amplifier. See the setup section for more details.

### 10. CH3 / 4 Bass boost Control

This control is used to add bass boost at 45Hz which is adjustable between 0dB, +3dB and +6dB.

### 11. CH3 / 4 Crossover mode select switch

This switch is used to select the crossover mode of the amplifier. FLAT is for full range output, HPF is used to limit the amount of low frequency information passed to the speakers and LPF is used to limit the amount of high frequency information passed to the speakers.

### 12. CH3 / 4 Crossover frequency control

This control sets the HPF or LPF frequency for the amplifier. HPF is adjustable between 50Hz and 4kHz, LPF is adjustable between 50Hz and 4kHz.

### 13. Speaker terminals

Used to connect speaker cables to the amplifier. See the wiring configuration section for more details

### 14. Power / protect LED

If the amplifier is operating normally, the GREEN LED will illuminate.

If the amplifier is in protection mode the RED LED will illuminate.

EDB80.4LITE-E0

### 15. Fuse

Replace with only the same value ATC fuse 2 x 20A

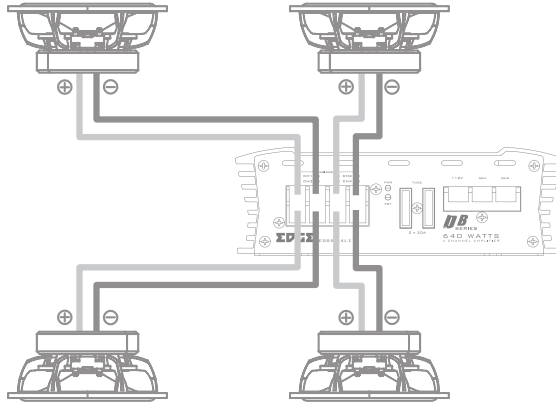
### 16. Power terminals

Used to connect DC power to the amplifier. See the power connections section for more details

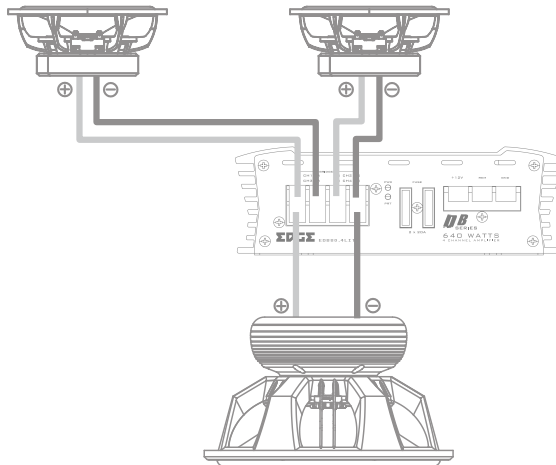
### NOTE:

When using high level input, the REM terminal will now output a +12v feed that can be used to turn on other devices in the system that do not have auto turn on.

## 4 Channel Wiring Configuration



## 3 Channel Wiring Configuration





## Set Up Section

To correctly set the gain control of the amplifier to match that of the source (headunit) use the following setup routine:

Turn the gain control to minimum on the amplifier.

Ensure the bass boost is set to 0 dB.

On the headunit set all crossovers (if applicable) to flat and both bass and treble to zero.

Turn up the source (headunit) to approx 3/4 volume.

Very slowly turn up the gain on the amplifier until distortion can be heard in any of the subwoofers or until the volume reaches an uncomfortable listening level when this is reached turn down the gain control slightly.

The gain control is now set.

The setting of the crossover will depend on what kind of speaker you are installing.

For a subwoofer it is recommended that the crossover is set to Low Pass and the frequency is set to match that of the speakers specifications, or your preferred frequency - this is usually about 60 - 120Hz.

Note:

By using the crossovers correctly you will not only lengthen the life of your speakers but you will also get better performance from them.

To optimise your setup seek the advice of a professional installation engineer or visit your local EDGE audio dealer.

## Specification

| Model                     | EDB80.2LITE-EO                             | EDB80.4LITE-EO                              |
|---------------------------|--|---|
| Configuration             | 2 Channel                                  | 4 Channel                                   |
| Dimensions<br>(H x W x D) | 58mm (2.3") x 178mm<br>(7") x 230mm (9.1") | 58mm (2.3") x 178mm<br>(7") x 323mm (12.7") |
| RMS @ 4 Ohms              | 2 x 60w / 1 x 160w                         | 4 x 60w / 2 x 160w                          |
| RMS @ 2 Ohms              | 2 x 80w                                    | 4 x 80w                                     |
| RMS @ 1 Ohms              | N/A  | N/A   |
| Maximum Power             | 320w                                       | 640 w                                       |
| Frequency Response        | 20Hz - 20kHz                               | 20Hz - 20kHz                                |
| Crossover Type            | HP/LP/FLAT                                 | HP/LP/FLAT                                  |
| Crossover Range           | 50Hz - 4kHz                                | 50Hz - 4kHz                                 |
| Topology                  | Class AB                                   | Class AB                                    |

## UK Technical Enquiries

### Call 09067031420

Calls cost 50p per minute. Call costs correct at date of publication (01/02/12)  
Hours of business 9.00am - 5.30pm GMT Monday - Friday.  
All calls are recorded for training purposes.  
MIDBASS Distribution  
PO Box 11000  
B75 7WG



## International Technical Enquiries

For international technical support please contact the distribution agent for your country.

Please visit [www.edgecaraudio.co.uk](http://www.edgecaraudio.co.uk) for more details.



Благодарим Вас за приобретение усилителя EDGE.

Настоящее Руководство содержит указания по монтажу и безопасности, и должно быть сохранено в течение всего срока эксплуатации усилителя. Внимательно прочитайте Руководство и убедитесь в том, что Вы полностью понимаете описанные процедуры установки и подключения. Если Вы не уверены в полном понимании всех операций установки и подключения усилителя EDGE, пожалуйста, обратитесь к ближайшему авторизованному дилеру EDGE.

**Мы надеемся, что Вы получите такое же удовольствие от использования данного продукта, как и мы в процессе его создания.**

### **ВНИМАНИЕ**

Аудио усилители, предлагаемые на вторичном рынке создают дополнительную нагрузку системы электропитания автомобиля. Современные автомобили имеют достаточный запас емкости, поскольку не все электронные компоненты включаются одновременно.

Проверьте номинал предохранителя и рассматривайте это значение как пиковое значение тока для системы электропитания Вашего автомобиля. Обычно среднее значение тока потребления составляет одну треть от пикового.

### **ОСТОРОЖНО**

При нормальном режиме работы радиатор усилителя может существенно нагреваться. Не дотрагивайтесь до радиатора при работе или сразу после выключения усилителя. Располагайте усилитель так, чтобы радиатор не контактировал с материалом обшивки или пластмассовыми деталями.

### **ГАРАНТИЙНЫЕ ОБЯЗАТЕЛЬСТВА**

Срок гарантии составляет 12 месяцев с момента продажи изделия потребителю.

Гарантийные обязательства не распространяются на приборы, вышедшие из строя в результате неправильной установки усилителя; небрежного обращения и нарушения правил эксплуатации, изложенных в данной инструкции; самостоятельной разборки прибора пользователем или неквалифицированным персоналом.

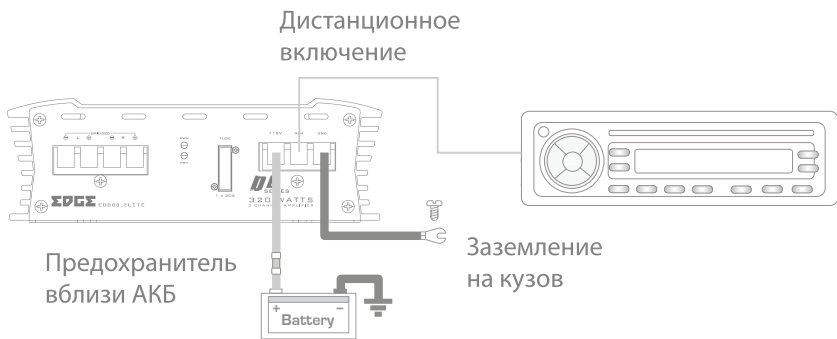
### **ОСТОРОЖНО**

Оборудование EDGE способно звучать на уровне, при котором Вашему здоровью может быть нанесен непоправимый вред. EDGE рекомендует с осторожностью включать воспроизведение на высокой громкости. Для безопасного и приятного прослушивания звук должен быть на комфортной громкости и не иметь искажений.

Конструкция усилителя обеспечивает максимальную простоту и быстроту установки. Монтируйте его в сухом месте на ровной поверхности. Никогда не крепите усилитель под таким углом, что он оказывается перевернутым. Это вызовет его перегрев и, в итоге, выход из строя по прошествии некоторого времени.

Перед окончательной фиксацией усилителя убедитесь, что между стенками его корпуса и другими предметами внутреннего интерьера автомобиля имеется достаточный для охлаждения зазор (не менее 5 см).

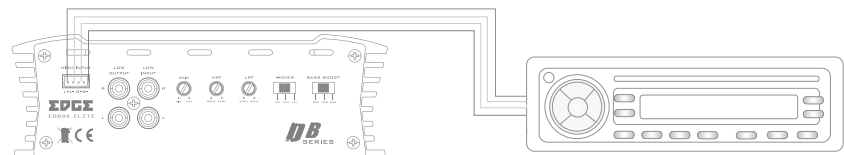
## Подключение питания



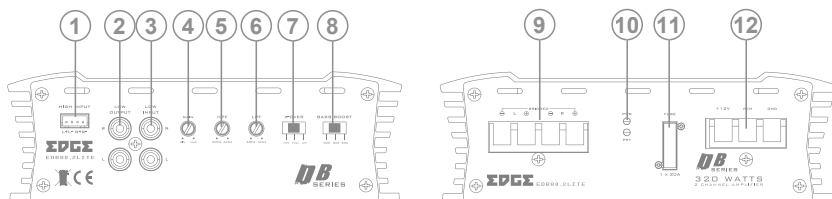
## Подключение по низкочастотному входу



## Подключение по высокоуровневому входу



## Разъемы и органы управления



## 1. Высокоуровневый вход

Используется для подключения к акустическим выходам источника звука (головное устройство) при отсутствии у него выходов низкого уровня.

## 2. Низкоуровневый выход

RCA выход. Используется для подключения дополнительного усилителя или другого добавочного устройства.

## 3. Низкоуровневый вход

Используется для подсоединения источника сигнала (головного устройства) с низкоуровневым выходом. Подключение производится к RCA выходу на головном устройстве.

## 4. Регулировка усиления

Используется для согласования уровня входного сигнала от источника звука и параметров усилителя (см. раздел Настройки).

## 5. Настройка фильтра ВЧ кроссовера (HPF)

Данная настройка устанавливает полосу ВЧ усилителя. Регулировка в пределах 50 Гц – 4 кГц.

## 6. Настройка фильтра НЧ кроссовера (LPF)

Данная настройка устанавливает полосу НЧ усилителя. Регулировка в пределах 50 Гц – 4 кГц.

## 7. Переключение режима работы кроссовера

Переключение в режимы HPF / FLAT / LPF.

## 8. Регулировка усиления НЧ

Эта настройка используется для увеличения мощности баса от усилителя. Центральная частота 45 Гц. Установка на уровне 0 дБ, +3 дБ, +6 дБ.



## 9. Акустические терминалы

Для подключения кабелей к усилителю. См. раздел «Подключение».

## 10. Световая индикация

Когда усилитель работает в линейном режиме, индикатор светится зеленым цветом.

При перегрузке усилителя включается режим защиты, и индикатор начинает светиться красным цветом.

## 11. Предохранитель

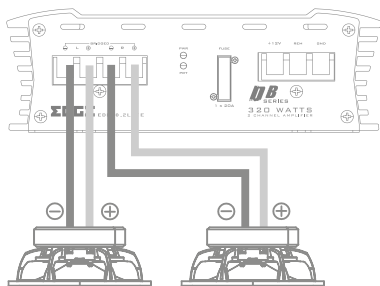
При замене используйте номинал 20А.

## 12. Силовые соединения

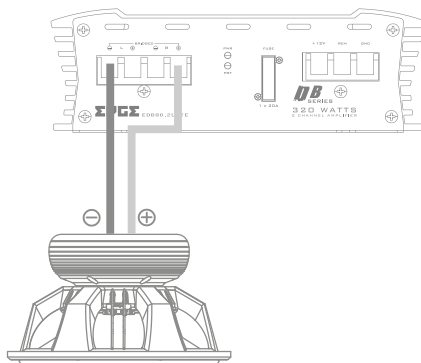
Порядок подключения питания/заземления приводится в разделе «Подключение питания».

## Подключения

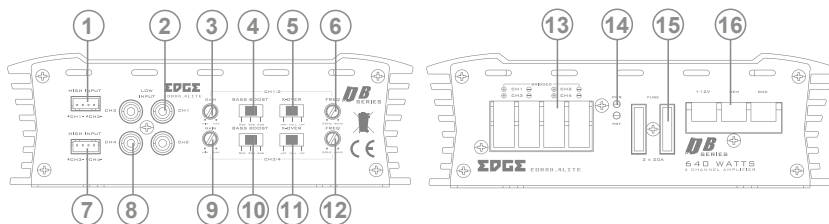
### 2-канальная конфигурация



### Мостовое подключение



## Разъемы и органы управления



## 1. Высокоуровневый вход для каналов 1/2

Используется для подключения к акустическим выходам источника звука (головное устройство) при отсутствии у него выходов низкого уровня.

## 2. Низкоуровневый вход/выход для каналов 1/2

Используется для подсоединения источника сигнала (головного устройства) с низкоуровневым выходом. Подключение производится к RCA выходу на головном устройстве.

Также возможно подключение дополнительного усилителя или другого аудиоустройства.

## 3. Регулировка усиления каналов 1/2

Используется для согласования уровня входного сигнала от источника звука и параметров усилителя. Подробно см. раздел Настройки.

## 4. Регулировка усиления НЧ для каналов 1/2

Эта настройка используется для увеличения мощности баса от усилителя. Центральная частота 45 Гц. Установка уровня 0 дБ, +3 дБ, +6 дБ.

## 5. Переключение режима работы кроссовера для каналов 1/2

Переключение в режимы HPF / FLAT / LPF.

## 6. Настройка полосы частот кроссовера для каналов 1/2

Данная настройка устанавливает полосы НЧ или ВЧ усилителя. Полоса НЧ в пределах 50 Гц – 4 кГц. Полоса ВЧ в пределах 50 Гц – 4 кГц.

## 7. Высокоуровневый вход для каналов 3/4

Используется для подключения к акустическим выходам источника звука (головное устройство) при отсутствии у него выходов низкого уровня.

#### 8. Низкоуровневый вход/выход для каналов 3/4

Используется для подсоединения источника сигнала (головного устройства) с низкоуровневым выходом. Подключение производится к RCA выходу на головном устройстве.

Также возможно подключение дополнительного усилителя или другого аудиоустройства.

#### 9. Регулировка усиления каналов 3/4

Используется для согласования уровня входного сигнала от источника звука и параметров усилителя. Подробно см. раздел Настройки.

#### 10. Регулировка усиления НЧ для каналов 3/4

Эта настройка используется для увеличения мощности баса от усилителя. Центральная частота 45 Гц. Установка уровня 0 дБ, +3 дБ, +6 дБ.

#### 11. Переключение режима работы кроссовера для каналов 3/4

Переключение в режимы HPF / FLAT / LPF.

#### 12. Настройка полосы частот кроссовера для каналов 3/4

Данная настройка устанавливает полосы НЧ или ВЧ усилителя. Полоса НЧ в пределах 50 Гц – 4 кГц. Полоса ВЧ в пределах 50 Гц – 4 кГц.

#### 13. Акустические терминалы

Для подключения кабелей к усилителю. См. раздел «Подключение».

#### 14. Световая индикация

Когда усилитель работает в линейном режиме, индикатор светится зеленым цветом.

При перегрузке усилителя включается режим защиты, и индикатор начинает светиться красным цветом.

#### 15. Предохранители

При замене используйте номинал 2х20А.

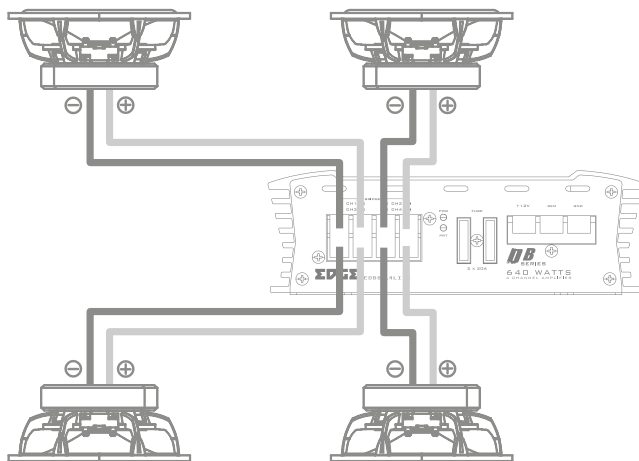
#### 16. Силовые соединения

Порядок подключения питания/заземления приводится в разделе «Подключение питания».

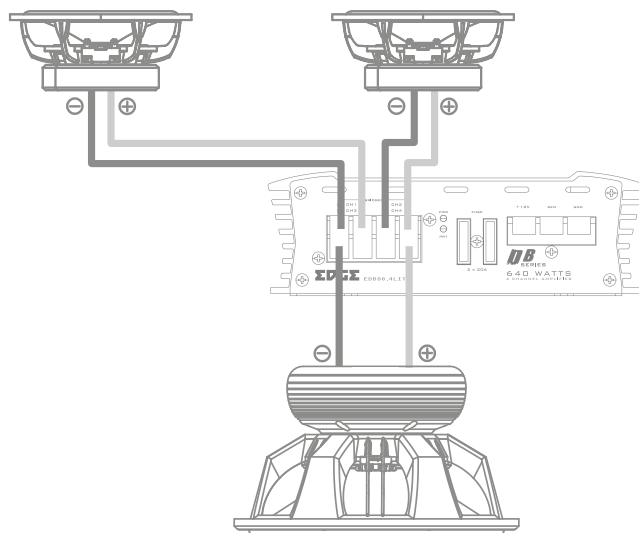
#### **Примечание.**

При подключении по высокоуровневому входу на терминале REM присутствует напряжение +12В, которое может использоваться для включения других устройств в системе, если они не поддерживают автоматического включения.

4-канальная конфигурация



3-канальная конфигурация



## Кабель питания

- Для подводки питания усилителя должен использоваться кабель минимальным сечением 8.36 мм<sup>2</sup> (8 GA).
- Кабель питания должен соединяться напрямую с аккумуляторной батареей. Необходимо использовать резиновые втулки при пропускании кабеля через любые перегородки во избежание его разрыва или повреждения изоляции.
- Необходимо использовать кабельный предохранитель или автомат с номиналом тока ограничения таким же, как номинал предохранителя имеющегося на усилителе. Этот кабельный предохранитель должен быть установлен на расстоянии от клеммы батареи, не превышающем 40 см
- Не устанавливайте предохранитель до завершения монтажа усилителя.

## Кабель заземления

- Заземление усилителя должно быть подсоединено непосредственно к корпусу автомобиля к чистой металлической поверхности.
- Для заземления усилителя должен использоваться кабель минимальным сечением 8.36 мм<sup>2</sup> (8 GA).
- Кабель должен быть как можно короче.
- Не рекомендуется подсоединять заземляющий кабель к точкам крепления ремней безопасности.

## Автовключение (для подключения по высокоуровневому входу)

- Усилитель поддерживает функцию автовключения (Autosense)
- Усилитель автоматически включается, когда задействован высокоуровневый вход.
- При выключении головного устройства усилитель автоматически выключается.

## Акустические RCA кабели

- В зависимости от модели Вашего усилителя и количества используемых динамиков может потребоваться соединение источника звука и усилителя одним или двумя RCA кабелями.
- Прокладка кабелей должна вестись с большой аккуратностью. Кабели должны располагаться вдали от любых источников возможных помех и от других кабелей.
- Рекомендуется при наличии возможности прокладывать RCA кабели со стороны кузова автомобиля, противоположной той, по которой были ранее проложены кабели питания и заземления усилителя.



## Настройка

Приведение в соответствие уровня усиления уровню выхода источника сигнала (головного устройства) проводите в следующей последовательности:

- установите уровень усиления на минимум
- установите усиление баса в 0 дБ
- на головном устройстве установите все кроссоверы (если они есть) в положение Flat, а также регуляторы баса и высоких в нулевое положение
- включите головное устройство на громкости примерно  $\frac{3}{4}$  максимальной
- медленно увеличивайте уровень усиления на усилителе до тех пор, пока искажения не будут слышны в каком-либо из подключенных сабвуфферов, или до тех пор, пока прослушивание не станет некомфортным
- после этого слегка уменьшите усиление

Уровень усиления установлен.

Установки кроссоверов будут зависеть от вида подключенной акустики.

Для сабвуфера рекомендуется установка кроссовера в режим Low Pass (фильтр НЧ) и уровня частоты в соответствии с техническими характеристиками акустики или с Вашими предпочтениями. Обычно это 60 – 120 Гц.

### Примечание

Используя кроссовер в правильном режиме, Вы не только продлите срок службы Вашей акустики, но и получите лучшее качество звучания.

Для оптимизации Ваших настроек воспользуйтесь советом профессионала или попросите помощи у ближайшего авторизованного дилера EDGE.

**Технические характеристики**

| Модель              | EDB80.2LITE-E0                             | EDB80.4LITE-E0                              |
|---------------------|--|---|
| Конфигурация        | 2 канала                                   | 4 канала                                    |
| Размеры (В x Ш x Г) | 58 mm (2.3") x 178 mm (7") x 230 mm (9.1") | 58 mm (2.3") x 178 mm (7") x 323 mm (12.7") |
| RMS @ 4 Ома         | 2 x 60 Вт / 1 x 160 Вт                     | 4 x 60 Вт / 2 x 160 Вт                      |
| RMS @ 2 Ома         | 2 x 80 Вт                                  | 4 x 80 Вт                                   |
| RMS @ 1 Ом          | N/A  | N/A   |
| Макс. мощность      | 320 Вт                                     | 640 Вт                                      |
| Частотный диапазон  | 20 Гц – 20 кГц                             | 20 Гц – 20 кГц                              |
| Тип кроссовера      | LP / HP / FLAT                             | LP / HP / FLAT                              |
| Диапазон кроссовера | 50 Гц – 4 кГц                              | 50 Гц – 4 кГц                               |
| Класс               | AB   | AB  |

**Внесение изменений без оповещения**

Поставщик сохраняет за собой право внесения изменений и улучшений в данные продукты без предварительного уведомления

Товар подлежит декларированию соответствия



---

Notes :

---

Notes :

# EDGE LITE

**DB**  
SERIES

# EAC

[www.edgearaudio.com](http://www.edgearaudio.com)



[www.facebook.com/edgeaudio](https://www.facebook.com/edgeaudio)